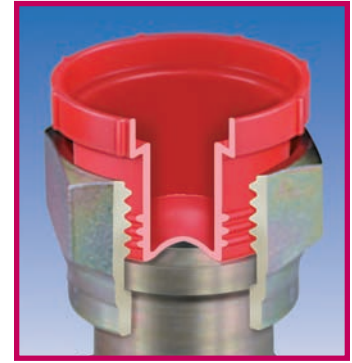
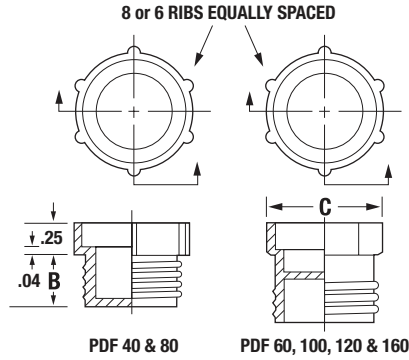


## flat-face o-ring plugs PDF SERIES

Designed specifically to protect flat-face o-ring fittings. Widely used in the hydraulic and pneumatic industries. Head design allows for easy mechanical and hand installation.

### Specifications

- Material: Low-Density Polyethylene
- Colour: Red



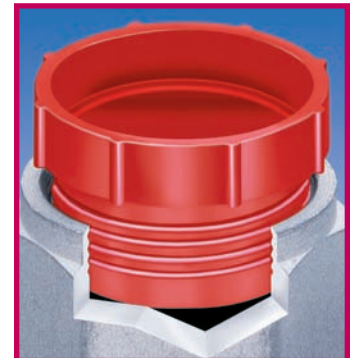
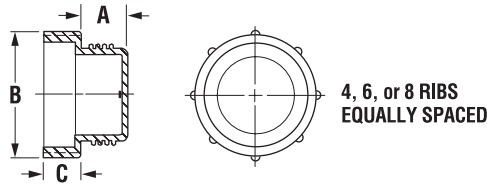
Part Number	To Plug Nominal Tubing Size - Inches	To Fit Thread Size Inches	Dimensions				Packaging	
			B		C		Carton Quantity	Mini Pak Quantity
			in	mm	in	mm		
PDF-40 (PDE-6)	1/4	9/16-18	.48	12.19	.68	17.27	5000	1000
PDF-60	3/8	11/16-16	.44	11.18	.87	22.10	5000	1000
PDF-80	1/2	13/16-16	.50	12.70	.94	23.88	5000	1000
PDF-100	5/8	1-14	.59	14.99	1.16	29.47	2500	500
PDF-120	3/4	1-3/16-12	.63	16.00	1.33	33.78	2500	500
PDF-160	1	1-7/16-12	.75	19.05	1.63	41.40	1000	200

## inverted flared-fitting plugs HT SERIES

Designed to protect inverted flare fittings. Engineered with knurled head for ease of application. Will meet low-pressure testing requirements.

### Specifications

- Material: Low-Density Polyethylene
- Colour: Red
- Applicable Spec: MIL-C-52078



Part Number	To Plug Standard Thread Size	To Plug Tubing Size	Dimensions						Standard Package	
			A		B		C		Pieces	Lbs.
			in	mm	in	mm	in	mm		
HT 2	5/16-28	1/8	.22	5.59	.44	11.18	.19	4.83	5000	5
HT 4	3/8-24	3/16	.25	6.35	.50	12.70	.19	4.83	5000	6
HT 6	7/16-24	1/4	.27	6.86	.63	16.00	.19	4.83	5000	8
HT 8	1/2-20	5/16	.28	7.11	.69	17.53	.25	6.35	5000	11
HT 10	5/8-18	3/8	.31	7.87	.81	20.57	.25	6.35	5000	13
HT 12	3/4-18	1/2	.31	7.87	.87	22.10	.25	6.35	5000	15
HT 14	7/8-18	5/8	.38	9.65	.87	22.10	.25	6.35	5000	17
HT 16	1-1/16-16	3/4	.43	10.92	1.19	30.23	.25	6.35	2500	13